

**LUBRICATION
ORDER**

7 OCTOBER 1975 (Supersedes L05-6115-293-12 Dtd 21 FEB 1961)

**GENERATOR SET, DIESEL ENGINE: PRECISE POWER; 100 KW,
AC, 120/208 V, 60 CYCLE, 240/416 V, 50 CYCLE; SKID
MOUNTED (DETROIT DIESEL DIVN. GENERAL
MOTORS CORP.MDL.6910A)W/GENERAL MOTORS
ENGINE MODEL 6910A, SERIES 6-71**

Reference: FEDERAL SUPPLY CATALOG C9100-IL

WARNING

Intervals are based on normal hours of operation. Adjust to compensate for abnormal operation and severe conditions or contaminated lubricants. During inactive periods, sufficient lubrication must be performed for adequate preservation.

Dry cleaning solvent, P-D-680, used to clean ports is potentially dangerous to personnel and property. Avoid repeated and prolonged skin contact. Do not use near open flame or excessive heat. Flash point of solvent is 100 degrees F. (38° C.) - 138 degrees F. (59° C.).

Clean fittings before lubricating

Clean parts with SOLVENT, dry-cleaning (Federal Specification P-D-680). Dry before lubricating.

Relubricate after washing

* The time specified is the time required to perform all services at the particular interval.

Drain crankcase only when hot after operation; replenish and check level when cool.

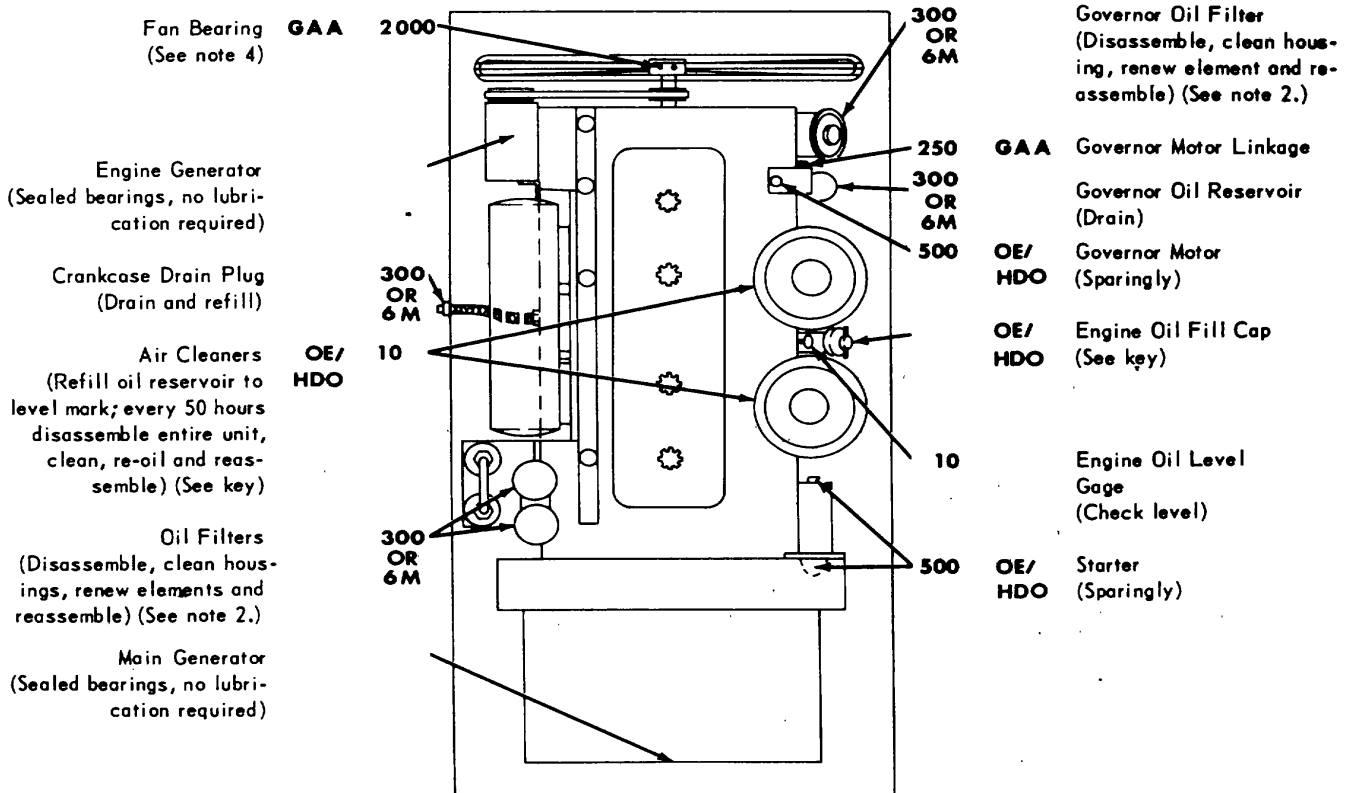
* TOTAL MAN-HR		* TOTAL MAN-HR	
INTERVAL	MAN-H	INTERVAL	MAN-HR
10	0.5	300	1.0
250	0.5	500	0.5
		2000	0.5

FOLD

FOLD

LUBRICANT • INTERVAL

INTERVAL • LUBRICANT



-KEY-

LUBRICANTS	CAPACITY	EXPECTED TEMPERATURES			INTERVALS Intervals given are in hours of normal operation.
		Above +32° F 0° C	+40 F to -10° F + 5° C to -23 C	0° F to -65° F -180 C to -500 C	
OE/HDO LUBRICATING OIL, Engine					
Crankcase	34-3/4 qt (33.02L)	OE/HDO 30	OIE/HDO 10	OEA	
Air Cleaners	1/2 qt. ea. (1.43L)				
Oil Can Points					
OEA-OIL, Engine, Arctic					
GAA-GREASE, Automotive and Artillery		ALL TEMPERATURES			

NOTES:

1. FOR OPERATION OF EQUIPMENT IN PROTRACTED COLD TEMPERATURES BELOW -10° (-23° c). Remove lubricants prescribed in the key for temperatures above -10° F. (-23° C). Clean parts with SOLVENT, dry-cleaning. Relubricate with lubricants specified in the key for temperatures below -10° F. (-23° C).

2. OIL FILTERS. After installing new filter elements, fill crankcase, operate engine 5 minutes, check housings for leaks, check crankcase oil level and bring to full mark.

3. OIL CAN POINTS. Every 50 hours lubricate hinges, latches, control linkages, and all exposed adjusting threads with OE/HDO.

4. FAN BEARING. Remove both plugs, insert fitting, lubricate until new grease extrudes from relief plug hole, operate engine at slow idle speed 3 minutes, install both plugs.

5. LUBRICANTS. The following is a list of lubricants with the Military Symbols and applicable Specification numbers.

OE/HDO	MIL-L-2104
OEA	MI L-L-46167
GAA	MIL-G-10924

Distribution: To be distributed in accordance with DA Form 12-25D, (qty rqr block no. 1065). Operator maintenance requirements for Generator Sets, , Engine Driven, 100 KW, 60HZ, Precise Power.

Copy of this Lubrication Order will remain with the equipment at all times; instructions contained herein are mandatory.

By Order of the Secretary of the Army:


FRED C. WEYAND
General, United States Army
Chief of Staff

Official:

PAUL T. SMITH
Major General, United States Army
The Adjutant General

*** U.S. GOVERNMENT PRINTING OFFICE: 1995 0 - 386730 (21305)**

RECOMMENDED CHANGES TO EQUIPMENT TECHNICAL PUBLICATIONS

 <p style="text-align: center; font-weight: bold; font-size: 1.2em;">SOMETHING WRONG WITH THIS PUBLICATION?</p> <p style="font-size: 0.8em;">THEN... JOT DOWN THE DOPE ABOUT IT ON THIS FORM, CAREFULLY TEAR IT OUT, FOLD IT AND DROP IT IN THE MAIL!</p>		FROM: (PRINT YOUR UNIT'S COMPLETE ADDRESS)					
		DATE SENT					
PUBLICATION NUMBER	PUBLICATION DATE	PUBLICATION TITLE					
BE EXACT... PIN-POINT WHERE IT IS				IN THIS SPACE TELL WHAT IS WRONG AND WHAT SHOULD BE DONE ABOUT IT:			
PAGE NO.	PARA-GRAPH	FIGURE NO.	TABLE NO.				
PRINTED NAME, GRADE OR TITLE, AND TELEPHONE NUMBER				SIGN HERE:			

TEAR ALONG PERFORATED LINE

DA FORM 2028-2
JUL 79

PREVIOUS EDITIONS ARE OBSOLETE.

P.S.—IF YOUR OUTFIT WANTS TO KNOW ABOUT YOUR RECOMMENDATION MAKE A CARBON COPY OF THIS AND GIVE IT TO YOUR HEADQUARTERS.

PIN: 020575-000